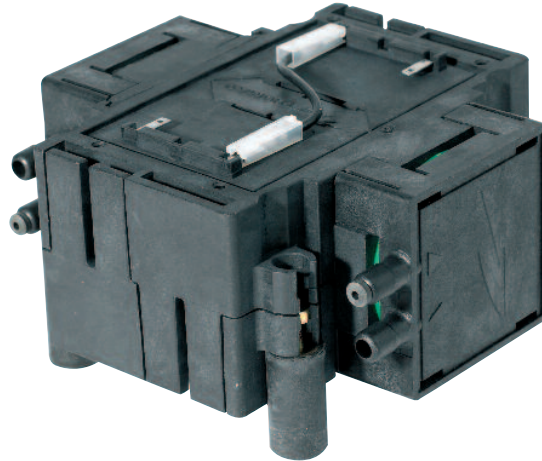




Linear Diaphragm Pumps

MODELS

LM 15
LM 22



PRODUCT FEATURES

- Oil-less
- Maintenance free
- Long life
- Compact
- High flow
- Low power consumption

TYPICAL APPLICATIONS

- Medical
- Aeration
- Gas circulation
- Gas/particle analysis
- Energy technology

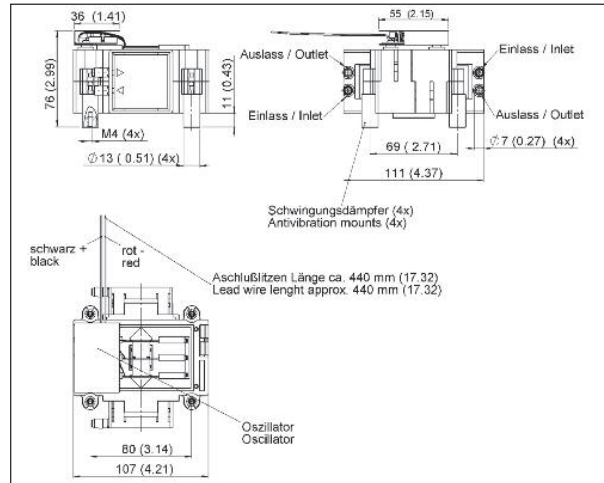
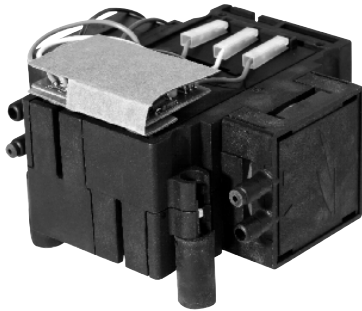


THOMAS
by Gardner Denver

Linear Diaphragm Pump LM 15 DC

Flow at 100 mbar

11,5 l/min



Pneumatic Data

| Description | LM 15 12 V DC | LM 15 24 V DC |
|------------------|-----------------|-----------------|
| Part number | 6440010 | 6440014 |
| Flow at 100 mbar | 11,5 l/min | 11,5 l/min |
| Operating range | 20% to 200 mbar | 20% to 200 mbar |

Electrical Data

| Motor type | Linear drive | Linear drive |
|-------------------|--------------|--------------|
| Nominal voltage | 12 V DC | 24 V DC |
| Consumption max.* | 1,40 A/17 W | 0,70 A/17 W |
| Protection class | IP 20 | IP 20 |

General Data

| Ambient temperature | 10 to 50° C | 10 to 50° C |
|-----------------------|-------------|-------------|
| Weight | 0,95 kg | 0,95 kg |
| Inlet/Outlet diameter | 7 mm (4x) | 7 mm (4x) |

Wetted Parts

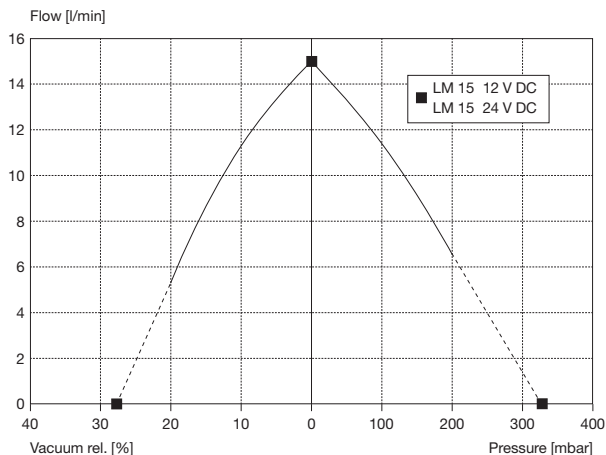
| Pump chamber | Polypropylene | Polypropylene |
|--------------|---------------|---------------|
| Nozzle plate | Polypropylene | Polypropylene |
| Diaphragm | EPDM | EPDM |
| Valve gasket | EPDM | EPDM |

* Between 0 and 100 mbar.

All listed values are measured at standard atmospheric conditions and parallel connection.

Pumps include oscillator part number: 8807 (standard).

Flow curves



Option

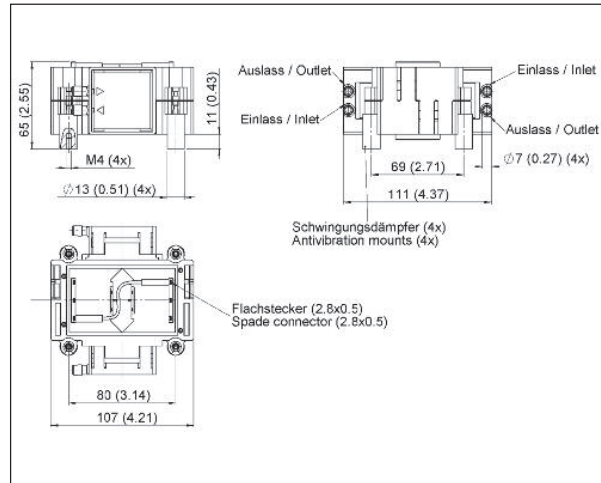
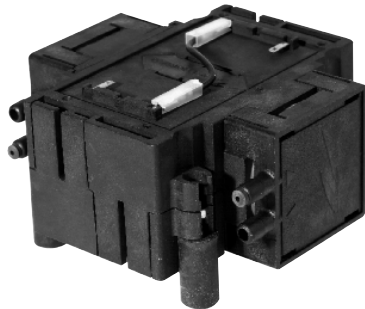
- Valve gasket: FPM (Viton)
- More antivibration mounts on request.
- Position of inlet/outlet in 90° steps possible.

The information presented in this material is based on technical data and test results of nominal units. It is believed to be accurate and reliable and is offered as an aid to help in the selection of Thomas products. It is the responsibility of the user to determine the suitability of the product for the intended use and the user assumes all risk and liability whatsoever in connection therewith. Thomas does not warrant, guarantee or assume any obligation or liability in connection with this information.

THOMAS
by Gardner Denver

Linear Diaphragm Pump LM 22 AC

Flow at 100 mbar 16 l/min



Pneumatic Data

| | |
|--------------------------|-------------------|
| Description | LM 22 230 V/50 Hz |
| Part number | 6540002 |
| Flow at 100 mbar | 16 l/min |
| Operating pressure range | 50 to 250 mbar |
| Operating vacuum range | 5% to 25% |

Electrical Data

| | |
|-------------------|--------------|
| Motor type | Linear drive |
| Nominal voltage | 230 V/50 Hz |
| Consumption max.* | 0,10 A/18 W |
| Protection class | IP 20 |

General Data

| | |
|-----------------------|-------------|
| Ambient temperature | 10 to 50° C |
| Weight | 0,95 kg |
| Inlet/Outlet diameter | 7 mm (4x) |

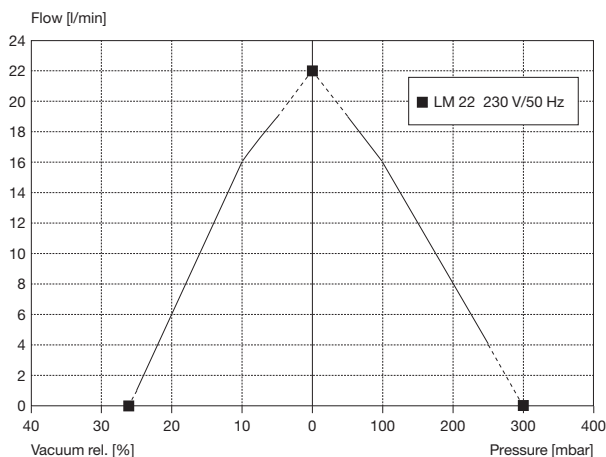
Wetted Parts

| | |
|--------------|---------------|
| Pump chamber | Polypropylene |
| Nozzle plate | Polypropylene |
| Diaphragm | EPDM |
| Valve gasket | EPDM |

* Between 0 and 100 mbar.

All listed values are measured at standard atmospheric conditions and parallel connection.

Flow curves



Option

654... Stock programme

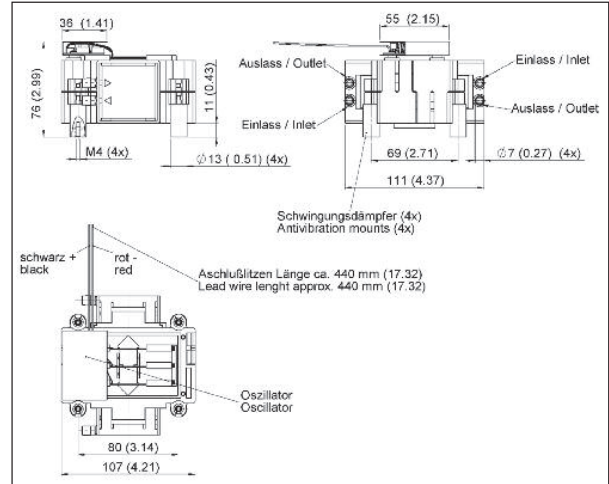
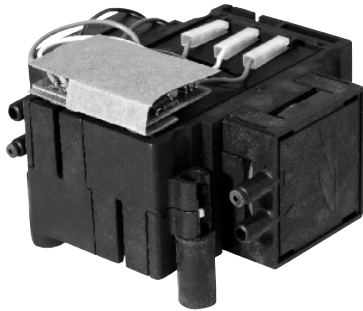
Valve gasket: FPM (Viton)
More antivibration mounts on request.
Position of inlet/outlet in 180° steps possible.

The information presented in this material is based on technical data and test results of nominal units. It is believed to be accurate and reliable and is offered as an aid to help in the selection of Thomas products. It is the responsibility of the user to determine the suitability of the product for the intended use and the user assumes all risk and liability whatsoever in connection therewith. Thomas does not warrant, guarantee or assume any obligation or liability in connection with this information.

THOMAS
by Gardner Denver

Linear Diaphragm Pump LM 22 DC

Flow at 100 mbar 15 l/min



Pneumatic Data

| Description | LM 22 12 V DC | LM 22 24 V DC |
|------------------|-----------------|-----------------|
| Part number | 6540010 | 6540014 |
| Flow at 100 mbar | 15 l/min | 15 l/min |
| Operating range | 20% to 200 mbar | 20% to 200 mbar |

Electrical Data

| Motor type | Linear drive | Linear drive |
|-------------------|--------------|--------------|
| Nominal voltage | 12 V DC | 24 V DC |
| Consumption max.* | 1,60 A/18 W | 0,80 A/18 W |
| Protection class | IP 20 | IP 20 |

General Data

| Ambient temperature | 10 to 50° C | 10 to 50° C |
|-----------------------|-------------|-------------|
| Weight | 0,95 kg | 0,95 kg |
| Inlet/Outlet diameter | 7 mm (4x) | 7 mm (4x) |

Wetted Parts

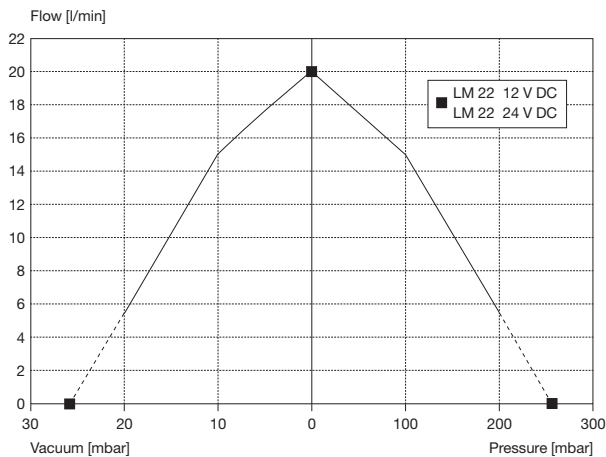
| Pump chamber | Polypropylene | Polypropylene |
|--------------|---------------|---------------|
| Nozzle plate | Polypropylene | Polypropylene |
| Diaphragm | EPDM | EPDM |
| Valve gasket | EPDM | EPDM |

* Between 0 and 100 mbar.

All listed values are measured at standard atmospheric conditions and parallel connection.

Pumps include oscillator part number: 8807 (standard).

Flow curves



Option

654... Stock programme

Valve gasket: FPM (Viton)


More antivibration mounts on request.

Position of inlet/outlet in 90° steps possible.

The information presented in this material is based on technical data and test results of nominal units. It is believed to be accurate and reliable and is offered as an aid to help in the selection of Thomas products. It is the responsibility of the user to determine the suitability of the product for the intended use and the user assumes all risk and liability whatsoever in connection therewith. Thomas does not warrant, guarantee or assume any obligation or liability in connection with this information.

THOMAS
by Gardner Denver



Printed in Germany.
Art.-Nr.: 17000096 07/2015 UEL
ClimatePartner 
printed climate-neutrally